

# SMOKE DAMPERS

## AMI-SD-V-100-1 AND AMI-SD-V-200-2

### STANDARD CONSTRUCTION

#### MAXIMUM SIZE

Single section -36" X 48" - Vertical and Horizontal

#### MINIMUM SIZE

8" X6" - Vertical and Horizontal

#### FRAME

20 GA. Galvanized Steel  
Interlocking stacked hat section channel frame.

#### BLADES

16 ga. Galvanized triple 'V' formed

#### LINKAGE:

.12 x .50 zinc plated steel concealed in the channel frame.

#### FINISH:

Mill

#### AXLES:

Square zinc plated steel studs

#### BEARINGS

Sintered Bronze, Oil impregnated

#### BLADE SEALS

60-65 Durometer silicone rubber with laminated acrylic adhesive permanently bonded to blade edges.

#### JAMB SEALS

Corrosion resistant stainless steel

#### JACKSHAFT:

1/2" dia. Zinc plated steel with jackshaft connector coupling.

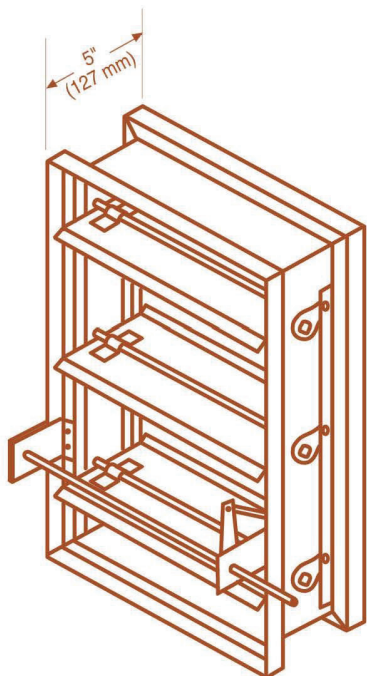
#### CAULKING:

UL Approved silicone sealants:  
Dow Corning RTV-732, 999A, GE-1200.

#### OPTIONS:

- Vertical And Horizontal Mount
- Sleeves: Rectangle, Round, Oval & Specials
- Actuator: Electric
- Actuator Brand: Belimo 24V, 120V and 230V
- Actuator Mounting: External and Internal

### TYPE CLASS 1 CLASS 2



1-1/2 HR (FIRE DURATION RATING)  
VERTICAL AND HORIZONTAL (INSTALLATION)  
250 DEG. F (TEMPERATURE RATING)  
PARALLEL BLADE (OPERATION)  
TO 4.0" W.G. (MAXIMUM STATIC PRESSURE)  
TO 2400 FPM (MAXIMUM VELOCITY)  
POWER OPEN/SPRING CLOSURE

LISTED AND LABELLED BY:

