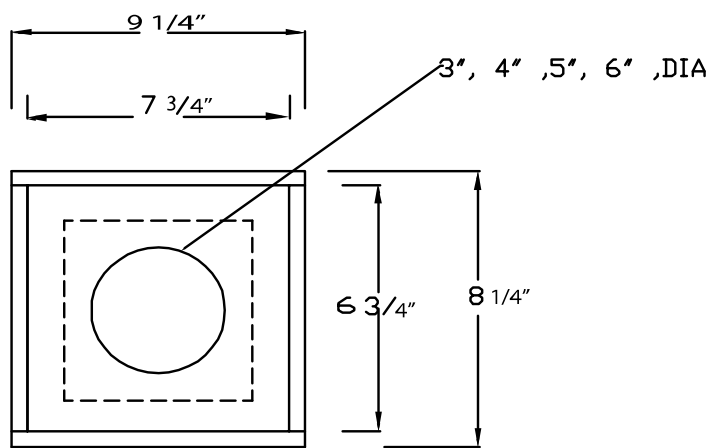




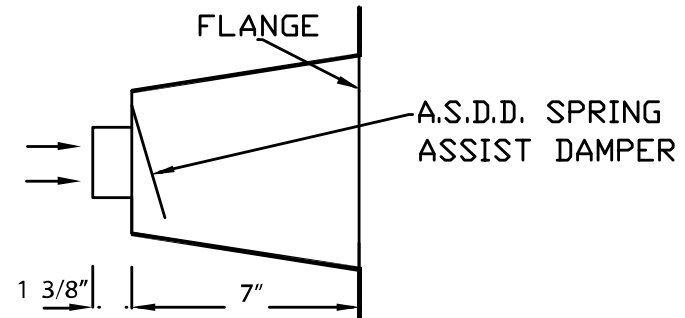
**SUBMITTAL DRAWING**  
**CONDOMINIUM ACCESSORY SPECIFICATIONS**  
**AIRVENT EXHUAST CONDENSATE BOX**  
**(WALL BOX)**

**TYPE R**

**TYPE-R SINGLE WALL BOX**

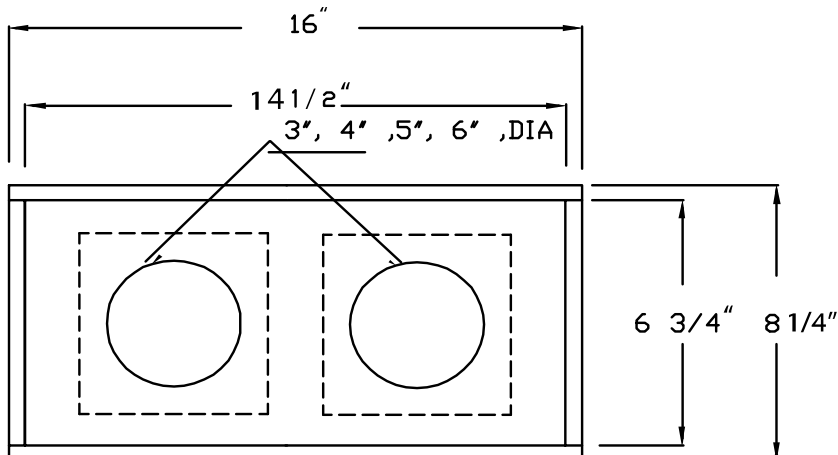


REAR VIEW (TYP)

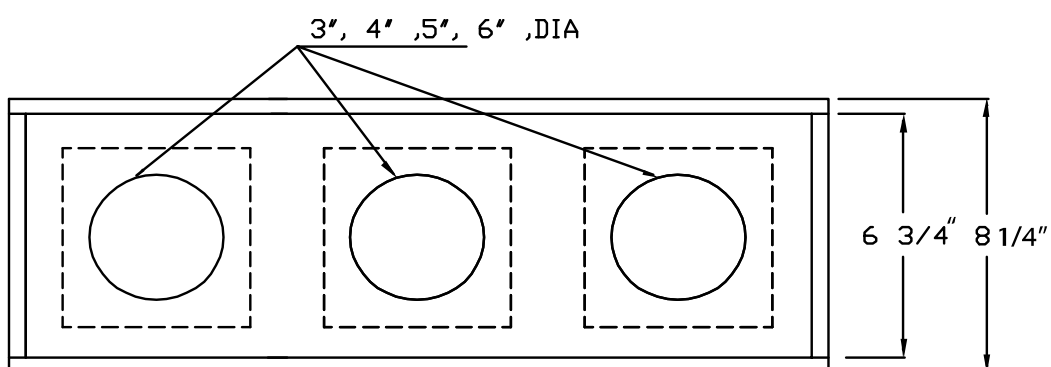


SIDE VIEW

**TYPE-R DOUBLE WALL BOX**



**TYPE-R TRIPLE WALL BOX**



**NOTES :**

- 1- All horizontal boxes share the same side dimensions and profile. All dimensions in inches.
  - 2- For boxes with insulation option add 1/2" to all sides (not flange)
- Example:** The body of a Type-R Triple Wall Box with insulation will measure 24 5/8" x 7 3/4" , Flange -to- flange dimensions . remain the same
- 3- Damper raised in side view for illustration. Damper returns to home position against pipe collar when fan air flow stops.

Project:  
 Location:  
 Architect  
 Engineer:

Contractor:  
 Address:  
 P.O. Number:  
 Date: